

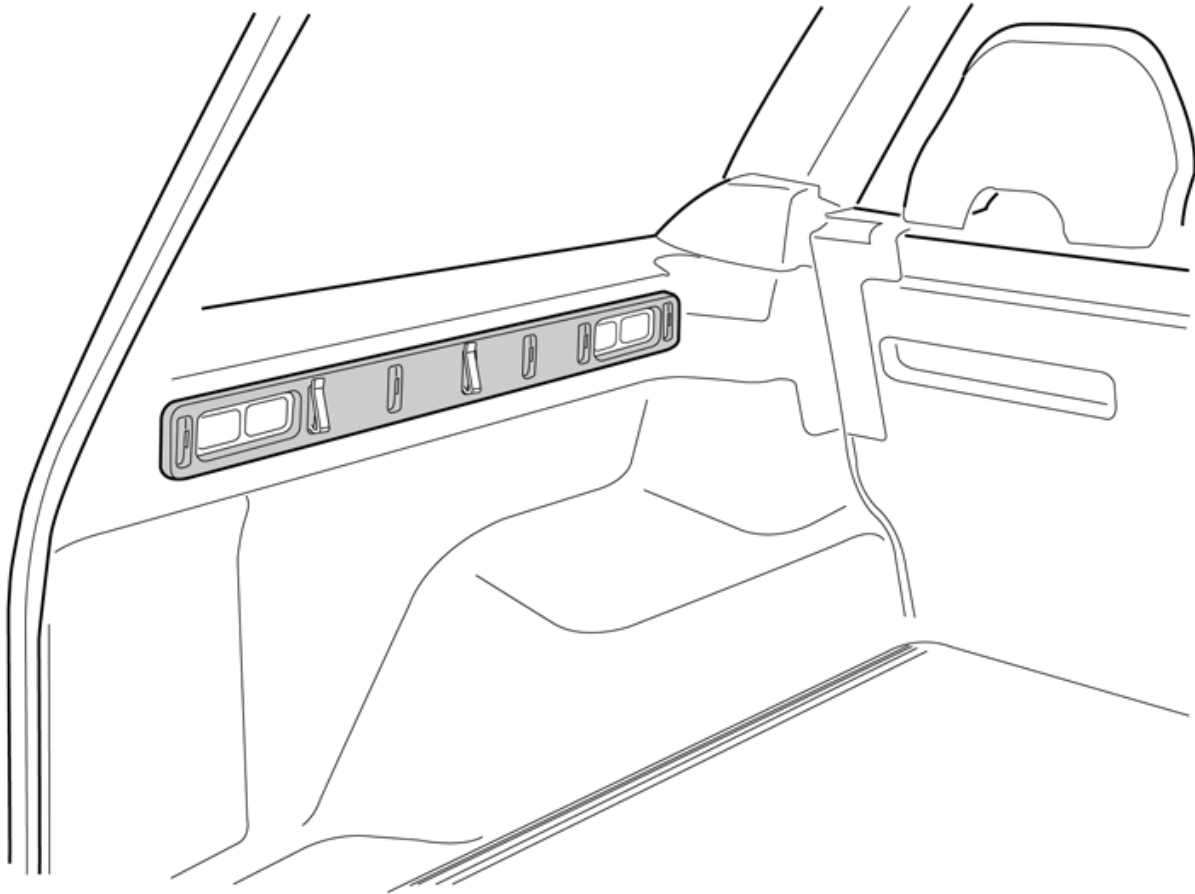


Installation instructions, accessories

Volvo Car Corporation Gothenburg, Sweden

Instruction No	Version	Part. No.
30681858	1.2	30721673, 30681835, 31439123, 31439132

Upper attachment panel with hooks



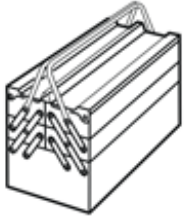
IMG-257996



Installation instructions, accessories

Volvo Car Corporation Gothenburg, Sweden

Equipment



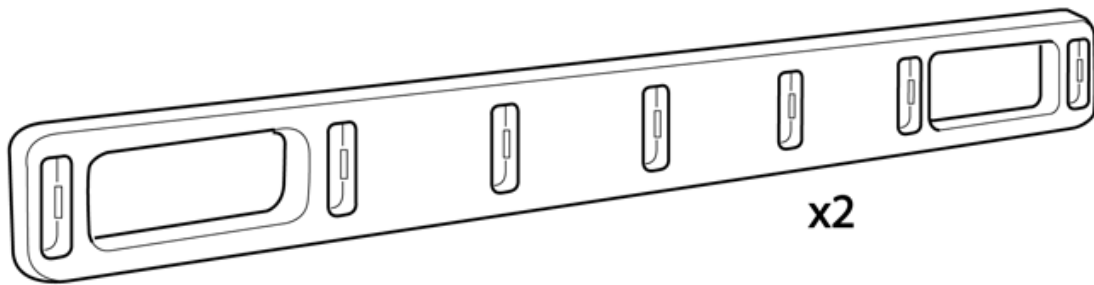
A0000162



IMG-239660



IMG-239681



x2



x8



x6

IMG-257984



Installation instructions, accessories

Volvo Car Corporation Gothenburg, Sweden

Any comments on this publication? Please contact your nearest retailer. Thank You!

Publ.no:	Issue:	Kit no:
Comments:.....		
.....		
.....		
.....		

From:	
Address:	
Telephone:	
Telefax:	

IMG-213320



Installation instructions, accessories

Volvo Car Corporation Gothenburg, Sweden

INTRODUCTION

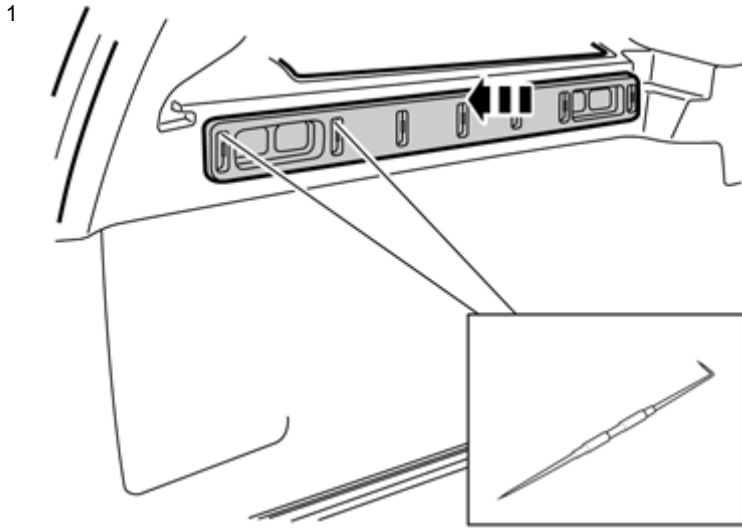
Read through all of the instructions before starting installation.

Notifications and warning texts are for your safety and to minimise the risk of something breaking during installation.

Ensure that all tools stated in the instructions are available before starting installation.

Certain steps in the instructions are only presented in the form of images. Explanatory text is also given for more complicated steps.

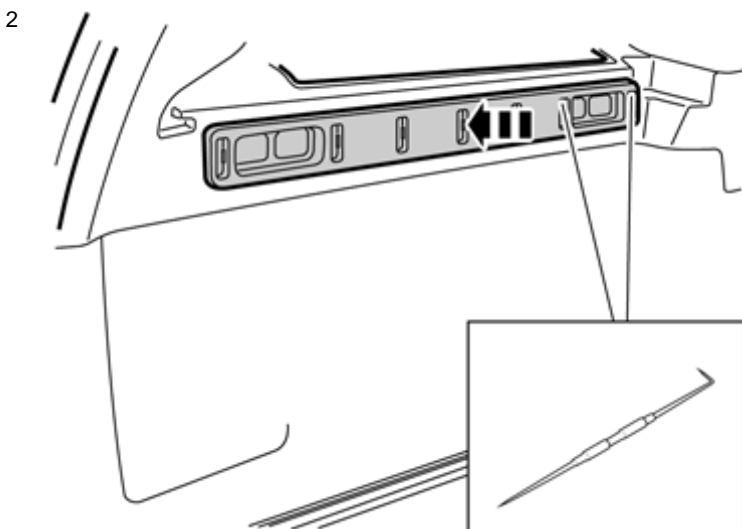
In the event of any problems with the instructions or the accessory, contact your local Volvo dealer.



IMG-257664

Take the left-hand rail (marked LH with the holes for attachment at the upper edge) and place the rear section in the hole for the rear load securing eyelet.

Align it carefully and make marks for the two rear holes using a scribe.



IMG-257666

Align the front end of the rail carefully and make marks for the two front holes using a scribe.

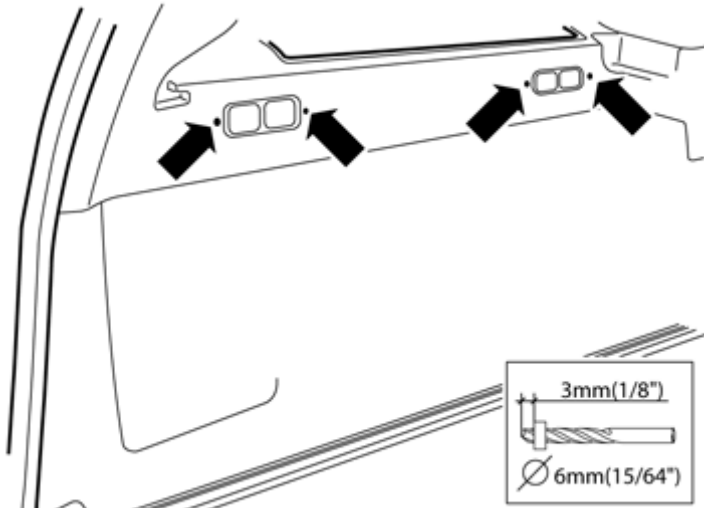
Remove the rail.



Installation instructions, accessories

Volvo Car Corporation Gothenburg, Sweden

3



IMG-257665

Note!

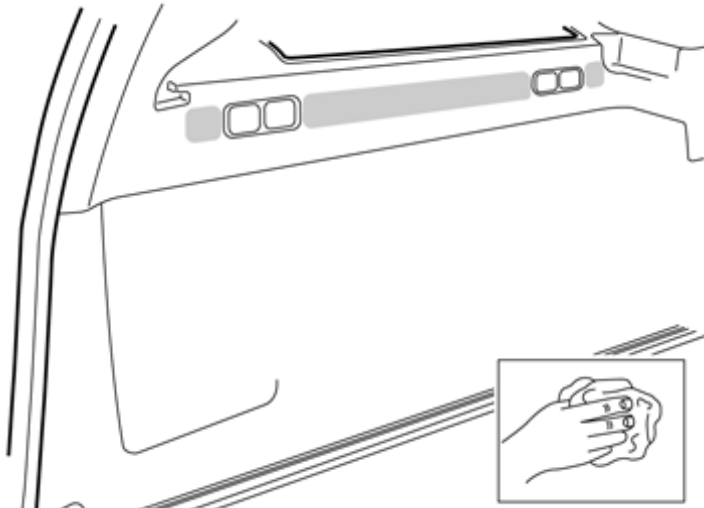
Make sure not to drill through the bracket that lies directly against the side panel's rear side.

Take a $\varnothing 6$ mm (15/64 ") drill bit and install a drill stop of 3 mm (1/8 ").

Drill four holes through the side panel.

Remove any swarf.

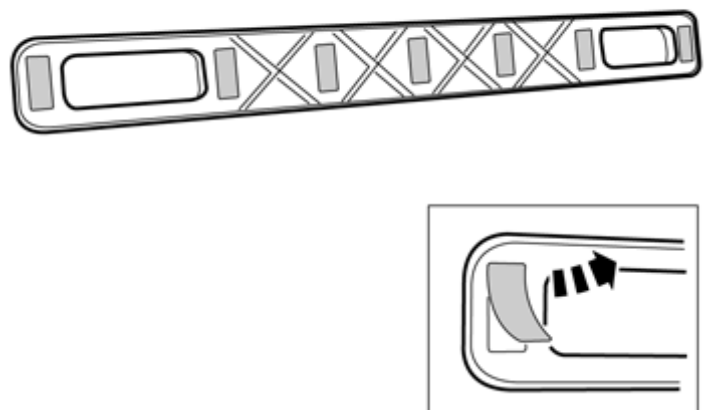
4



IMG-257667

Clean the marked surfaces using a mild, not etching, cleaning agent and wipe dry.

5



Remove the seven protective films from the tape on the rear side of the rail.

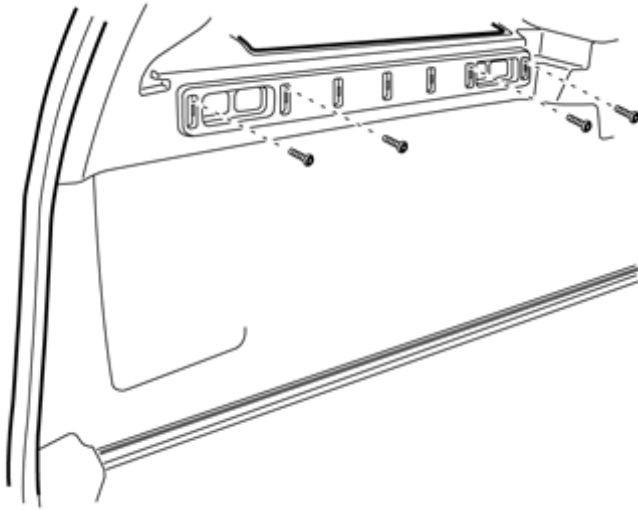
IMG-257663



Installation instructions, accessories

Volvo Car Corporation Gothenburg, Sweden

6



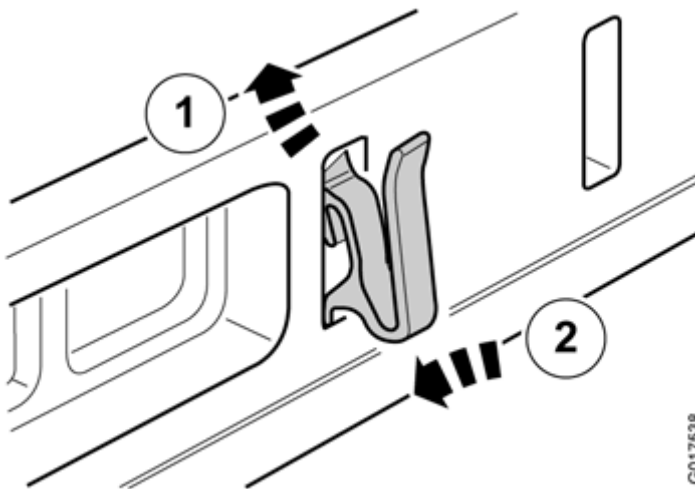
IMG-257668

Align the rail, without the tape adhering, so that the four screws can be screwed into the side panel. The screws are self tapping and there may be some resistance when installing.

When the screws have engaged the threads, tighten and press the tape along the entire rail.

Repeat all steps for the other side.

7



IMG-257669

Install the hooks by inserting them in the upper edge (1) and then downwards (2) until they lock in the rail.